

MODEL:145 POWER SUPPLY

It is specially designed for low voltage equipment, can adjust high input voltage to low output voltage. So it is applied Access Control widely. Our 145 Switch Power Supply has the function of protection for overvoltage, that is to say the equipment will not be destroyed for over current. And also it can set time to delay it is powered in or powered off, and make it in the status of normal open or normal close (NO/NC).

Products Characters:

- Input Voltage:180-280 VAC
- multi-function signal output
- 100% high-voltage test
- with time delay

Input Specifications:

- Input Voltage:180-280 VAC
- Input Frequency:47Hz-63Hz

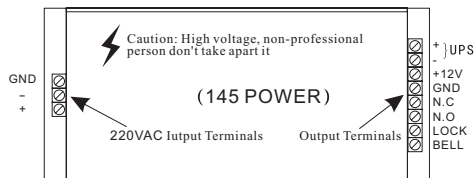
Technical Specifications:

Fuse:PC board (3A 250VDC)

Output Specifications:

- Output Voltage:12VDC
- Output Current:3.8A
- Output Power:40W
- Load stability: $\pm 1\%$ (Main Loop) , $\pm 5\%$ (others)
- Ripple and Noise:3% Vp-pmax 20MHzBW
- Over-current protection:all outputs
- Operating Environment:-10°+50°

Wiring Display



Input Terminal:

(Caution: High voltage, non-professional person don't take apart it)

GND: ground

- : negative pole of 220V power supply

+ : positive pole of 220V power supply

Output Terminal:

+ : connect to positive pole of battery

- : connect to negative pole of battery

+12V

GND } connect to Access controller or remote control

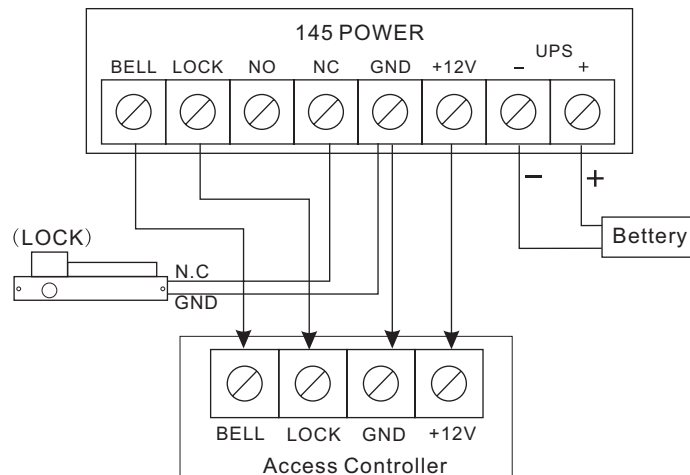
N.C:connect to normal close terminal

N.O:connect to normal open terminal

LOCK:connect to Exit button

BELL:connect to door bell

Wiring Diagram



Note: Don't mistake the negative & positive pole of power supply when you wire it, or you will burn related product parts.