



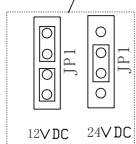
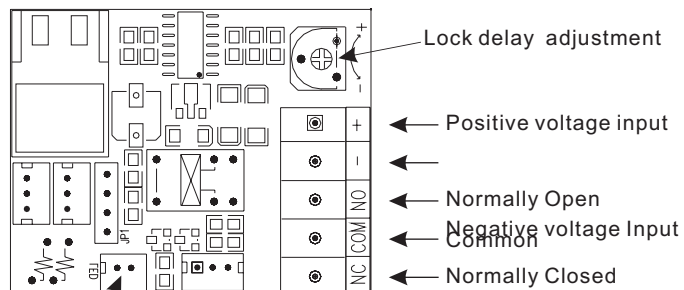
Installation Instructions For 350 Pound Single

Product Introduction

The Model 350 is a 12VDC twin Electro Magnetic lock with 700 pounds of holding force per lock

Specifications:

- Operating Voltage: 12VDC
- Current Draw : 230mA at 12 VDC
- Holding Force : 750lbs/350kg
- Bolt size : 292mm×54mm×28mm
- Armature Plate : 180mm×48mm×10mm
- Net Weight : 2.1kg
- Lock Delay : The lock delay can be adjusted from 0- 90sec
- LED Display : The LED will change color when the bond sensor is activated.



Remove the cover to expose the PCB and make the following connections:

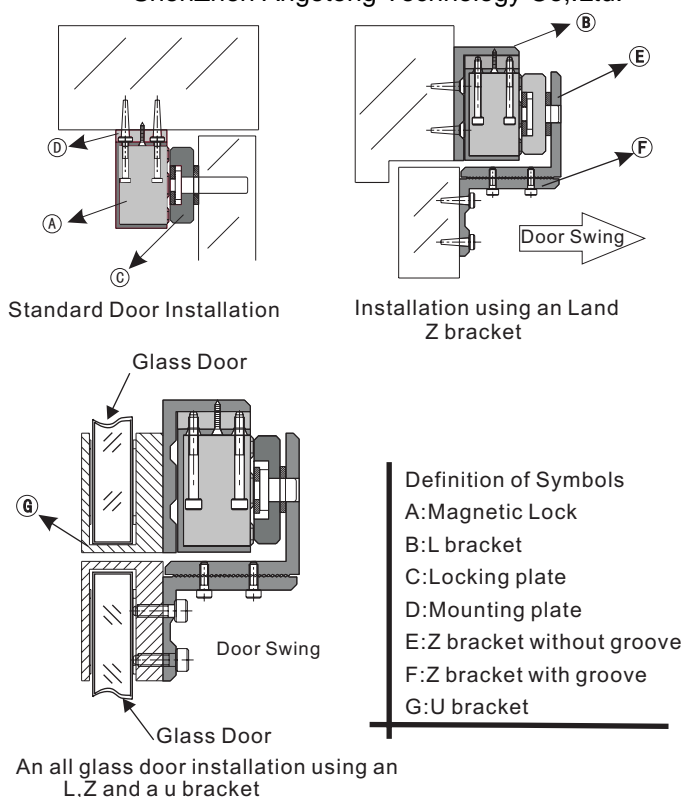
The Remote Door Sensor relay is rated at 1 Amp so care should be taken to ensure it is not overloaded.

For NO signaling connect to the Common and the Normally Open terminals.

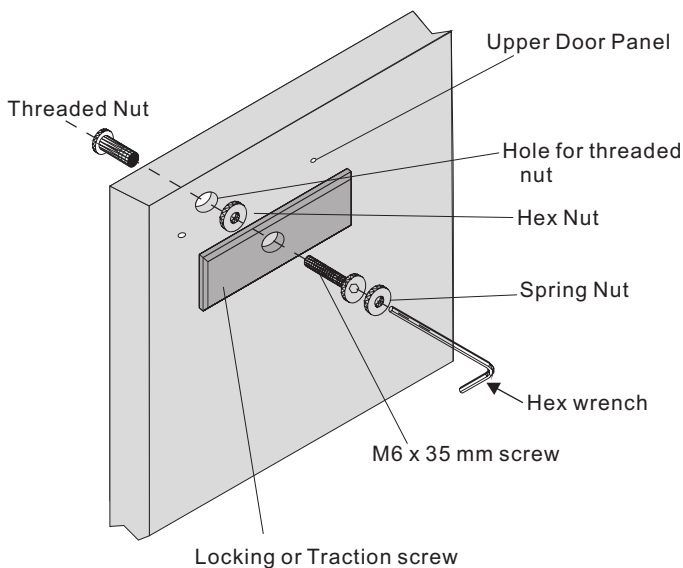
For NC signaling connect to the Common and the Normally Closed terminals

Replace cover after making all connections.

The following drawings show the various mounting configurations for wooden doors, metal doors and glass doors using L brackets, Z brackets and U brackets.



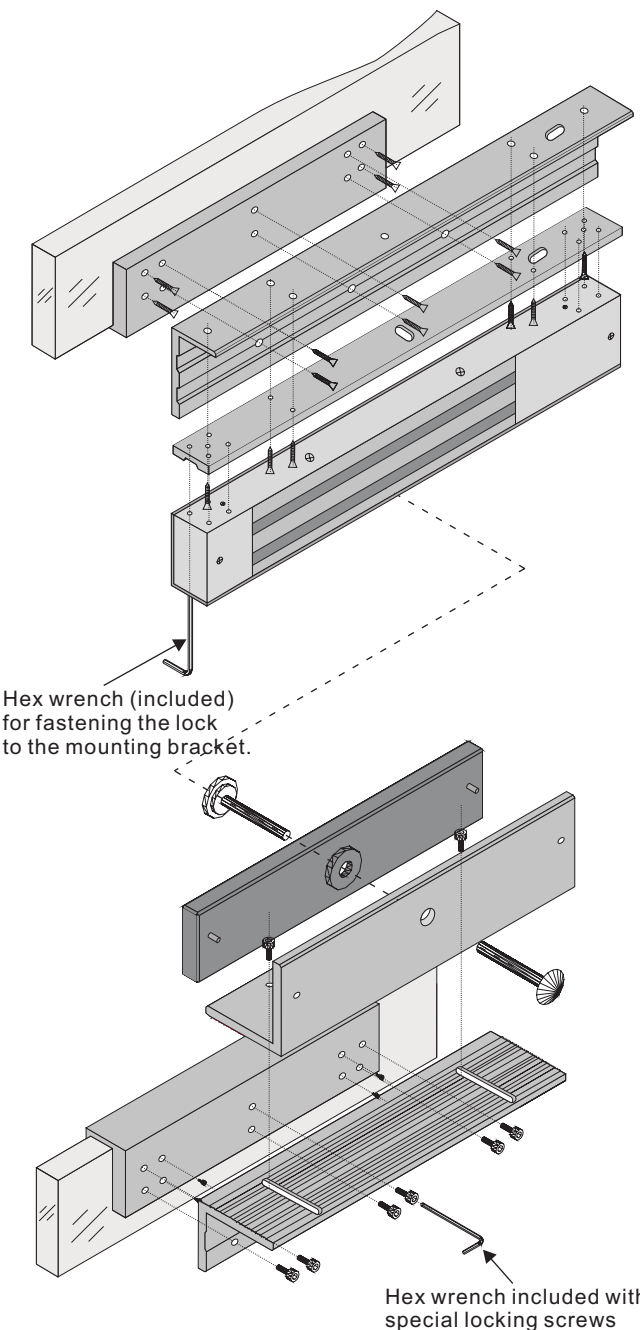
Installation Diagram



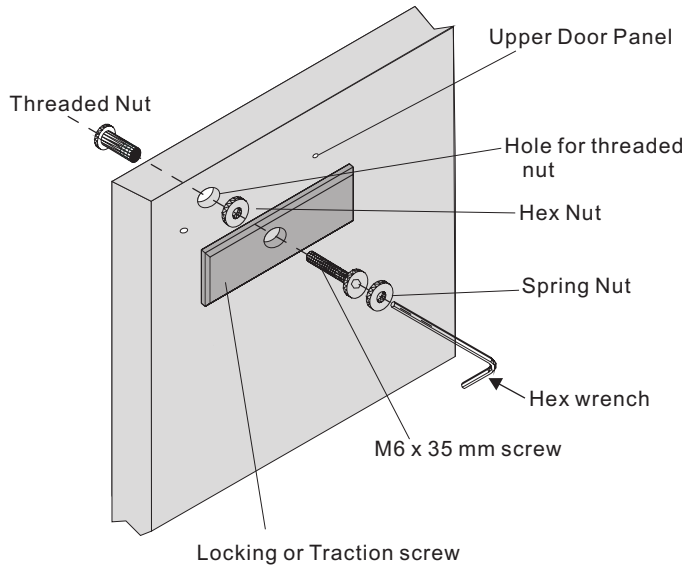
1) The Mag Lock should be tightly fixed to the door frame . The locking plate should be attached to the door.

2) The locking plate screw should not be tightened too tightly . The Hex nut and Spring nut should not be overly tight so that the locking plate may align itself with the mag lock.

Exploded View of Installation

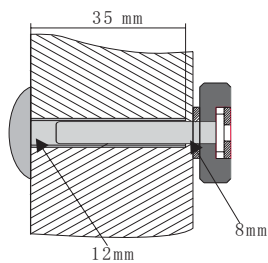


Installation Diagram



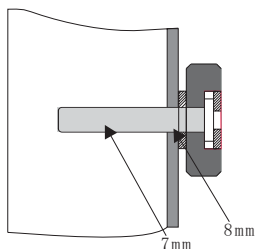
- ⚠ 1) The Mag Lock should be tightly fixed to the door frame . The locking plate should be attached to the door.
- 2) The locking plate screw should not be tightened too tightly . The Hex nut and Spring nut should not be overly tight so that the locking plate may align itself with the mag lock.

Lock or Traction Plate Installation Instructions



Side View of Hollow Steel Door

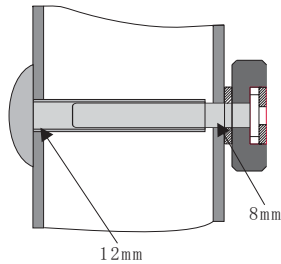
For hollow metal doors drill a 8mm diameter hole on the inside of the door. Then on the outside of the door drill a 12mm hole for the mushroom screw.



Wood Door Installation

Drill an 8 mm diameter hole from the inside of the door. Drill a 12 mm diameter hole from the outside of the door to a depth of 35 mm

Ensure to put the plastic washer between the lock plate and the door ,Do not over tighten.

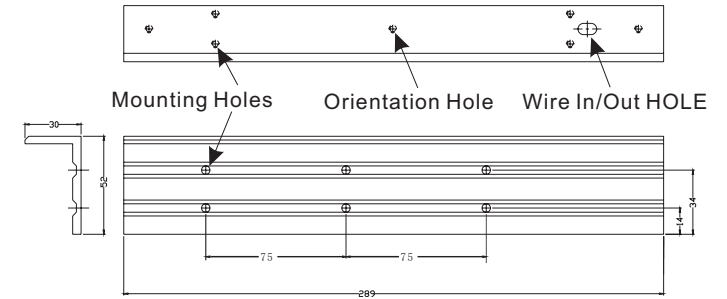
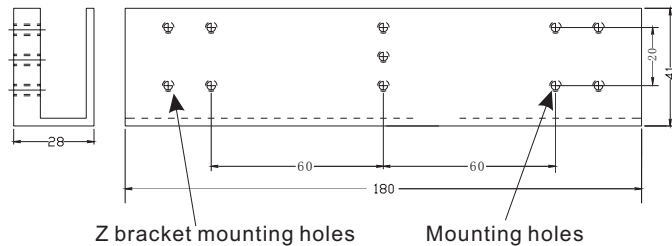
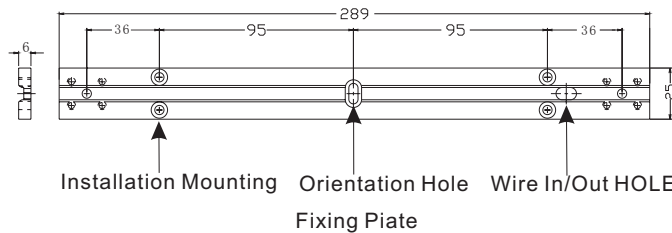
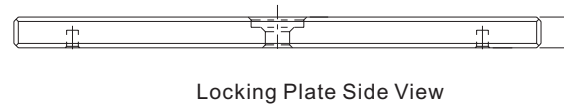
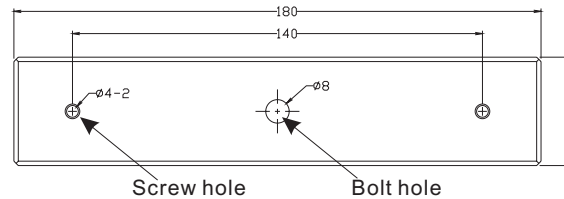


Composite Door Installation

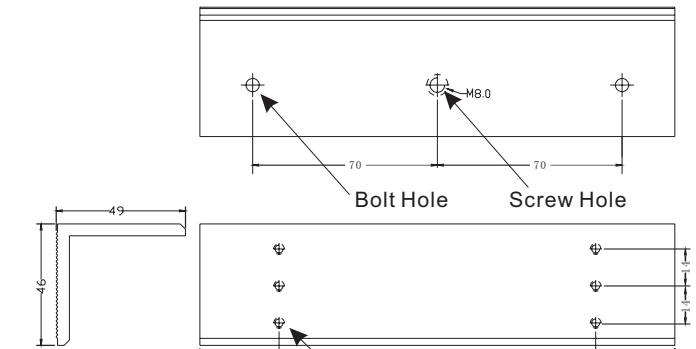
Drill a 7 mm diameter hole into the non metal door, Drill a 8mm diameter hole from the metal door.

Ensure to put the plastic washer between the lock plate and the door. Do not over tighten.

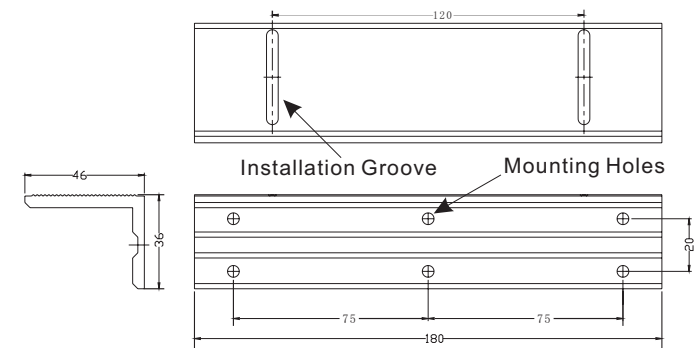
Product Dimensions



L Bracket Side View



Z Bracket Side View (without Groove)



Z Bracket Side View (With Groove)