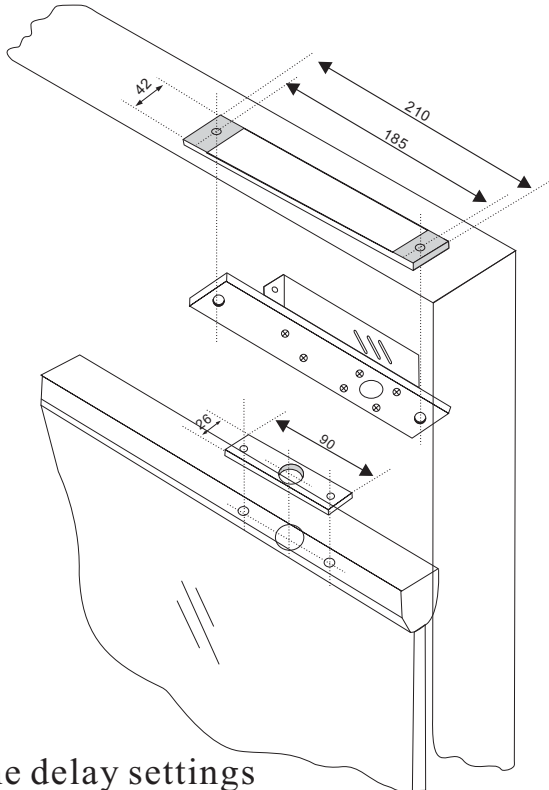


1295/1295A Electric Drop Bolt



Installation Instruction



Time delay settings



Installation Manual

Model 1295 Series Electric Drop Bolt

Specifications:

Input Voltage: 12VDC

Starting Current: 0.8A

Holding Current: 0.25A

Lock Total Size: 210x34x34mm

Lock Face Size: 210x42x0.8mm

Wiring Introduction

1295

Red Positive of PS

Black Negative of PS

1295A

Red Positive of PS

Black Negative of PS

White COM

Yellow N.C

Blue N.O

Display for IBA Electric locks

MODEL	Features
200SD/SLD	5/8 scores electric drop bolt, with door/latch sensor & time delay settings
5818G	Especially design for frameless glass door
3818	External installation electric drop bolt
1291	2 scores electric drop bolt
7143	Cabinet locks

<http://www.mjicka.com>

TEL:+86-0755-83775562